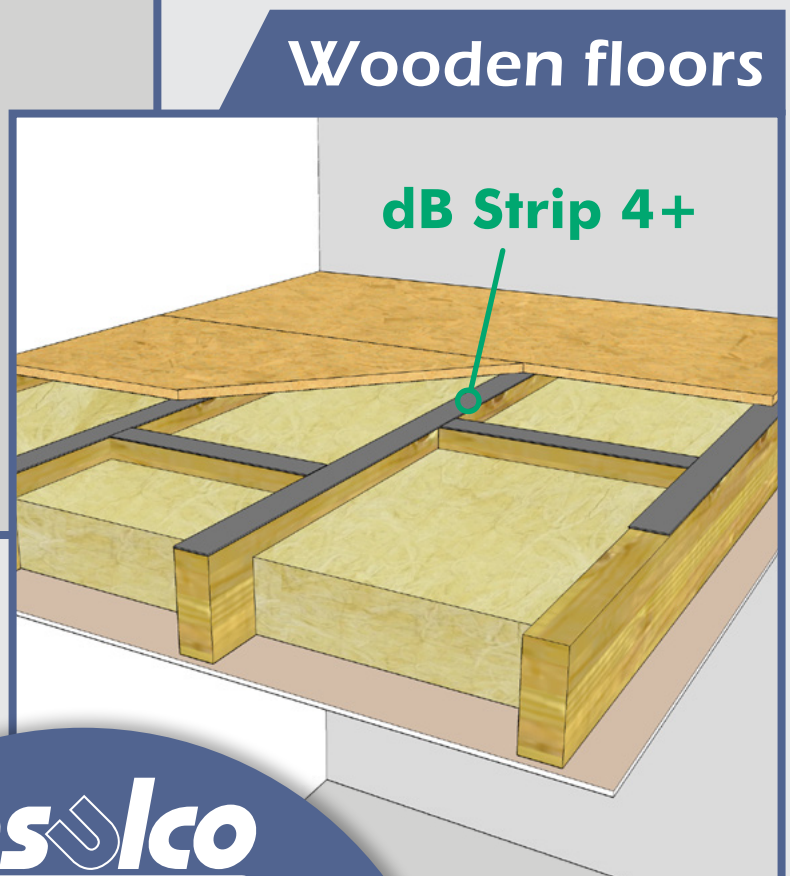
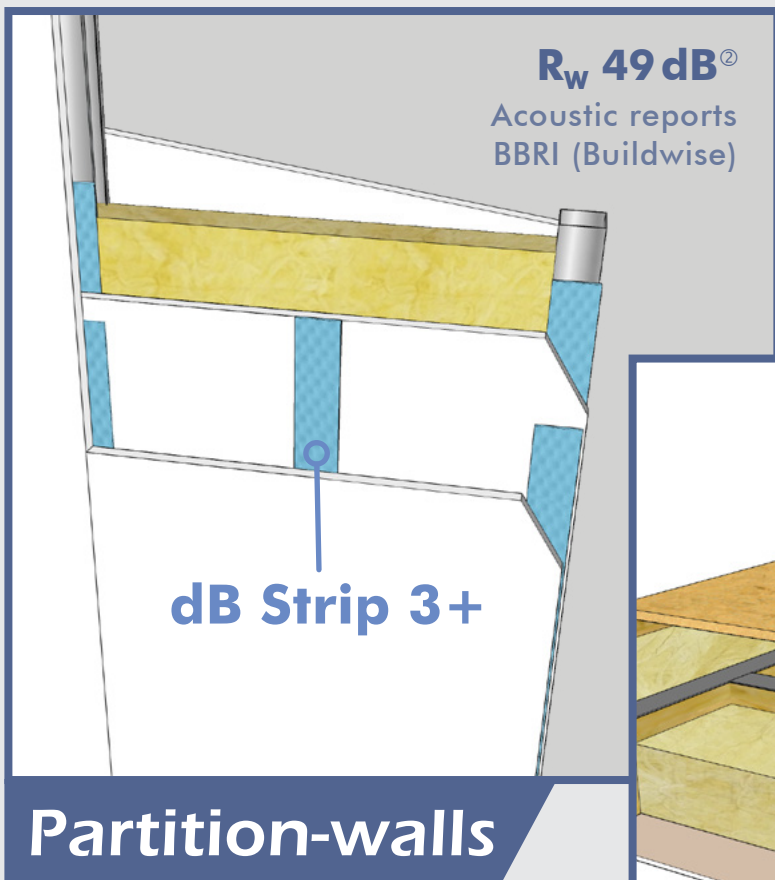




dB Strip 3+ / 4+

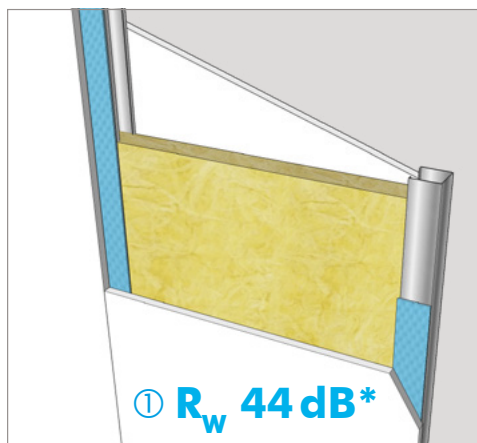
Acoustic strips for partition-walls and wooden floors

RESILIENT STRIPS WITH PYRAMIDAL DESIGN – EXCLUSIVE AND UNIQUE



Uncoupling a light partition-wall

Setting 1 :

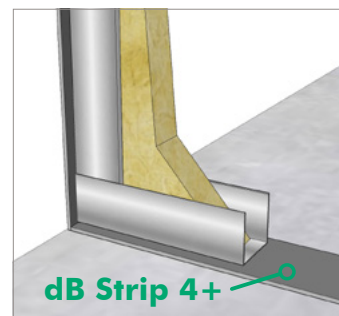
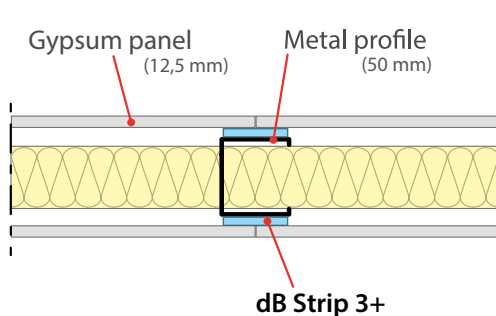


- Standard 12.5 mm Gypsum board
- + dB Strip 3+
- + Metal profile of 50 mm
- + Mineral wool of 45 mm
- + dB Strip 3+
- + Standard 12.5 mm Gypsum board

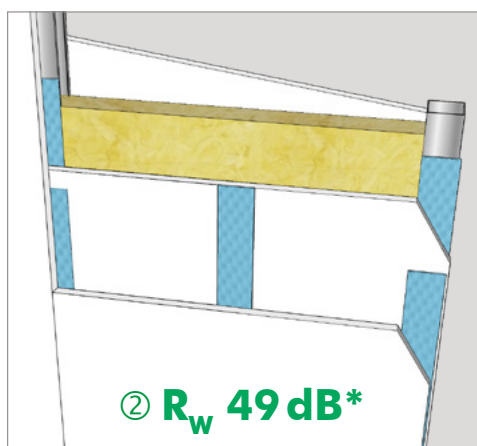
*① $R_w (C;C_{tr}) = 44 (-3;-10)$ dB

Stick the acoustic **dB Strip 4+** bands on the exterior side of the metal profiles coming on the counter walls, the ceilings, and the floor. Once the partition structure is done, stick the **dB Strip 3+** bands on the side of the horizontal and after vertical profiles where the plaster boards are coming. Afterwards, screw the plaster boards (12.5 mm) on the insulated profiles and forecast a bond every 25 cm at 1 cm from the edge of the board with a specific self-drilling screw for plasterboards.

It is mandatory to use a depth gauge and to adapt the screwing speed on the driver-drill to avoid compressing too much the acoustic strips and to be sure to maintain their spring effect.



Setting 2 :

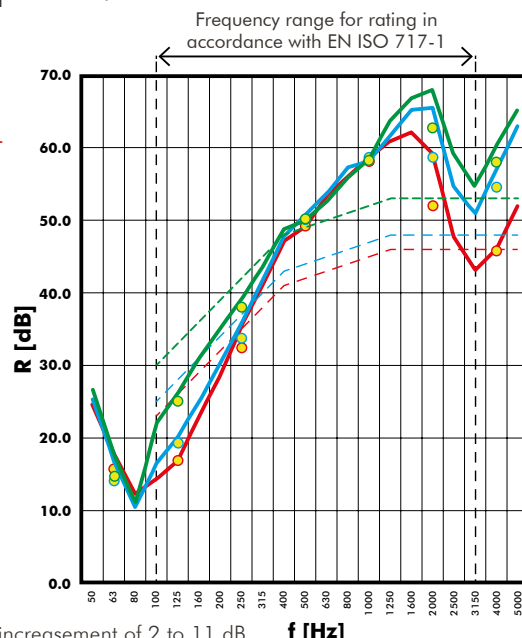
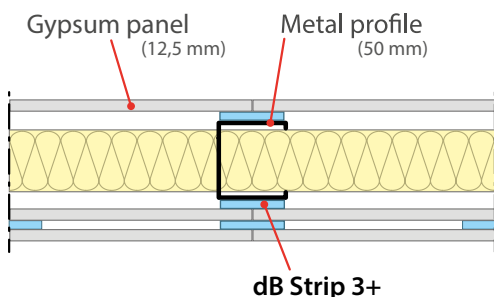


- Setting 1
- + dB Strip 3+
- + Standard 12.5 mm Gypsum board

*② $R_w (C;C_{tr}) = 49 (-3;-10)$ dB

To enhance even more the performances, stick horizontally a **dB Strip 3+** band on the plaster boards on the top and bottom parts of the partition wall.

After, stick vertically every 30 cm the acoustic band. Finally, carefully apply the plaster boards (12.5 mm) on the vertical acoustic bands at every junction.



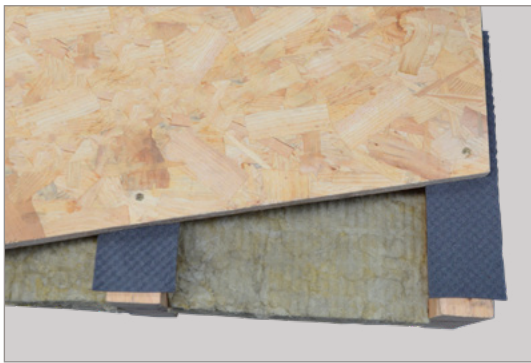
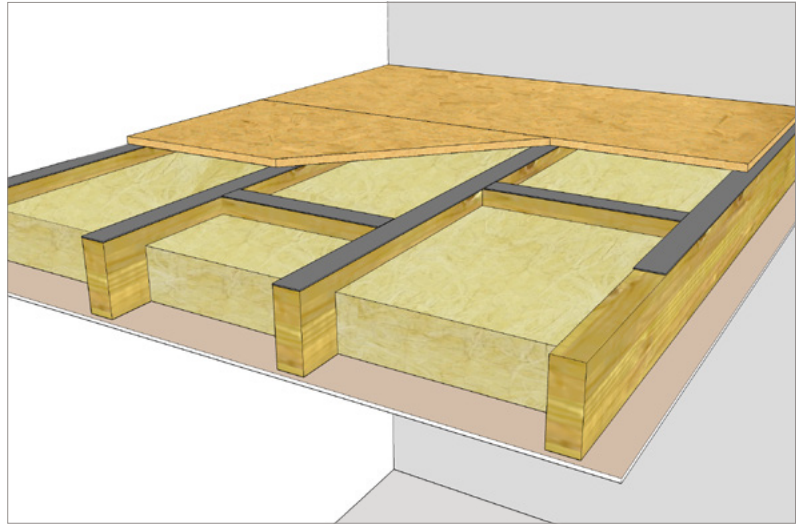
*dB Strip 3+ = An increment of 2 to 11 dB depending on the frequency

Unique and exclusive resilient strips

Uncoupling a wooden floor

The laying of the acoustic **dB Strip 4+** band allows to reduce the step noises between floors and mainly the creaking of wooden panels on the joists. dB Strip 4+ is specifically developed to resist against normal constraints of wooden floors. An efficient and inexpensive solution for a superior acoustic comfort.

Remove the protective film and stick the dB Strip 4+ resilient band on the joists before laying the new floor.



- Timber flooring
- + Mineral wool between joists
- + dB Strip 4+ on joists
- + New flooring



dB Strip 3+

The only acoustic strip for partition walls with BBRI (Buildwise) reports.



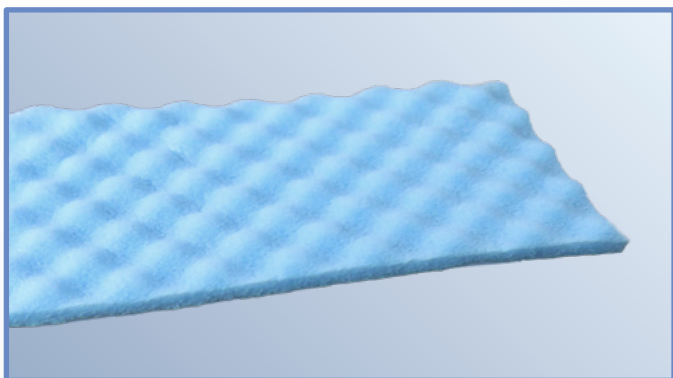
dB Strip 3+

dB Strip 3+ / 4+

dB Strip 3+ and **dB Strip 4+** are physically crosslinked PE foam acoustic strips with a **pyramidal design** on one side and a protected **auto adhesive surface** on the other side.

These resilient strips were specifically studied to enhance the acoustic performances of partition walls and wooden floors, in accordance with the mass spring mass effect. Our dB Strip bands are inexpensive and easy to use.

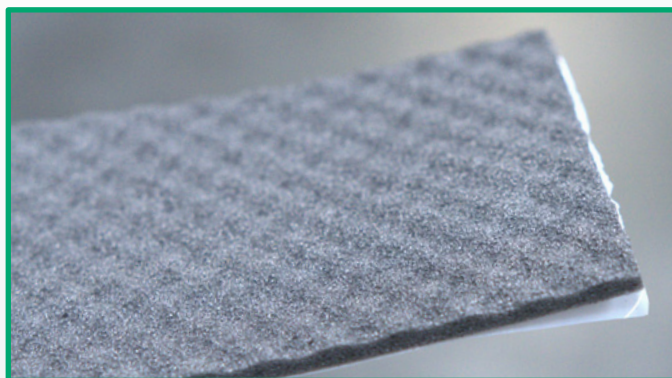
dB Strip 3+



dB Strip 3+ allows for light partition walls to achieve **comparable acoustic results than much more expensive solutions**.

dB Strip 3+ was tested by the BBRI (Buildwise) laboratory in different settings.

dB Strip 4+



Thanks to its width, thickness and higher density, **dB strip 4+** is more adapted to **uncouple wooden floors or the frames of partition walls**.

Characteristics

	dB Strip 3+	dB Strip 4+
Roll	30 m x 50 mm	25 m x 78 mm
Thickness	≥ 3,5 mm	≥ 4,5 mm
Self adhesive	on one side	on one side
Box	12 units	7 units
Pallet	12 boxes of 12 units	12 boxes of 7 units



The latest innovation by insulco.

insulco
insulation products **The specialist in thin acoustic insulation**

Z.I. Sud (1) • Rue Buisson aux Loups 1a • 1400 Nivelles • Belgium
Phone: +32 (0)67 41 16 10 • e-mail: insulco@insulco.be
enterprise number : BE 0405.642.815 – RPM Nivelles

Visit our website :
www.insulco.eu

All information provided is the result of studies and experience. It is communicated in good faith, but may under no circumstances constitute a guarantee on our part, nor engage our liability, even if the rights of third parties are violated. Responsible publisher : Insulco sprl, rue Buisson aux Loups 1a, Z.I. Sud, 1400 Nivelles, Belgium - Edition 2023/08.